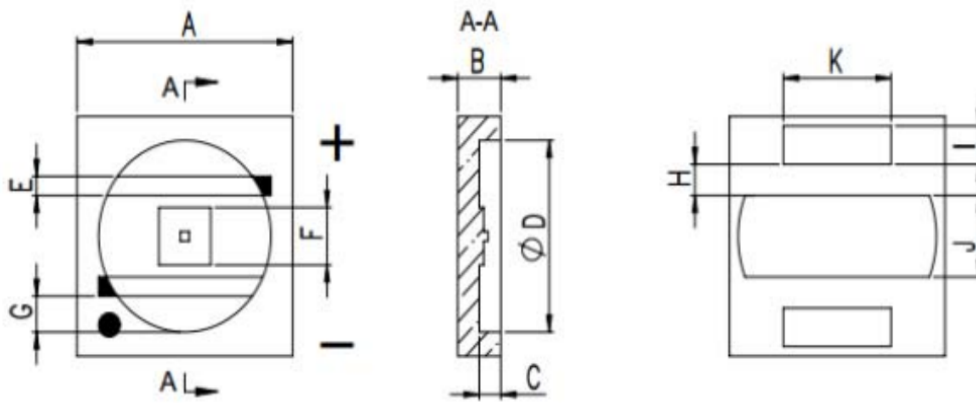




### UV-C LED 256nm MODULE



OBSERVE PRECAUTIONS  
FOR HANDIING



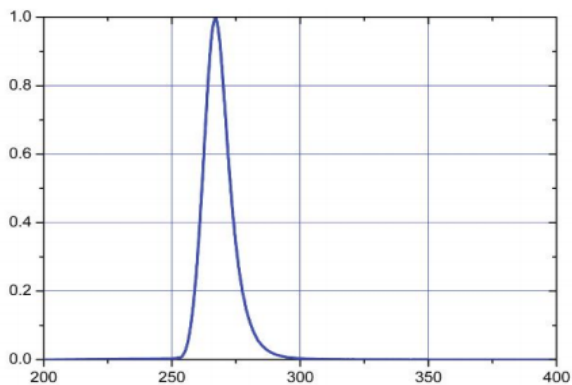
All dimensions are in mm

A	B	C	D	E	F	G	H	I	J	K
5	1	0.5	4	0.4	1.2	0.75	0.65	0.8	1.7	2.5

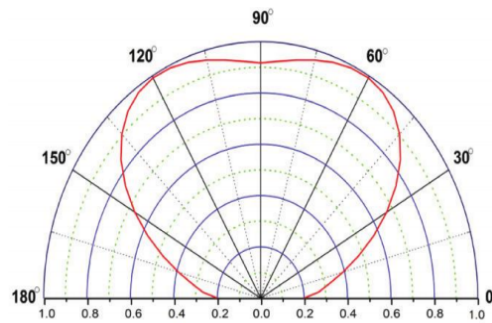
### Absolute Maximum Ratings at TA=25°C

Parameter	Maximum Rating	Unit
Power Dissipation	200	mW
Operation Current( Pulsed < 5 us, 1kHz)	20	mA
Operation Voltage	8 (CW), 10 (Pulsed)	V
Operation Current (CW)	20	mA
Operation Temperature Range	-30°C to +55°C	
Storage Temperature Range	-30°C to +55°C	
Humidity(for non-hermitically sealed LED)	0-80%	

### Optical Characteristics (T=25°C If=20mA)



**Wavelength(nm)  
Spectrum**



**Radiation Patton**

#### Features:

**Environmental friendly :No Hg, Cd, Br, Pb**

**Physical sterilization process: High Sterilizing Rate**

**Low energy consumption**

#### Other Remarks:

**Do not touch the surface of the led module, in case to affect the normal emitting**

**Make sure the right positive and negative pole**

**Do not watch closely, it is harmful to your eyes.**